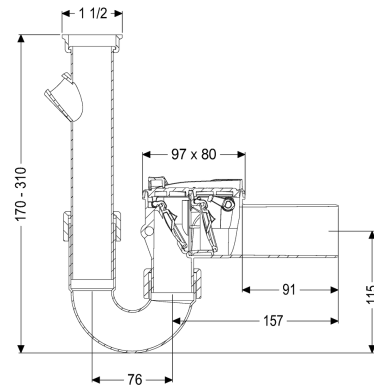


## Backwater valve Staufix Siphon, DN 50, Washing machine, Type 5



### Article information

Item no.: 73052  
 GTIN: 4026092027615  
 Price group: 10

### Advantages

- Ideal for modernisation: can also be installed in existing pipes later
- Simple, toolless maintenance and cleaning
- Corrosion-free

### Description

The backwater valve for wastewater without sewage is equipped with two mechanical flaps which close automatically in the event of backwater. One flap serves at the same time as an emergency closure to be closed by hand.

#### Variant

Emergency closure: yes  
 Mechanical backwater flaps: 2

#### General characteristics

Colour: white  
 Standard: EN 13564  
 Nominal size (DN): 50  
 Type of wastewater: without sewage  
 Installation situation: installation as washing machine connection  
 Delivery state: installation-ready  
 Backwater protection: Type 5

#### Dimensions

Net weight: 0,46 kg  
 Gross weight: 0,66 kg  
 Length: 260 mm  
 Width: 80 mm  
 Height: 310 mm  
 Packaging dimension: length

Packaging dimension:  
Packaging dimension:

width  
height

Coverage features  
Cover locking:

One-handed closure