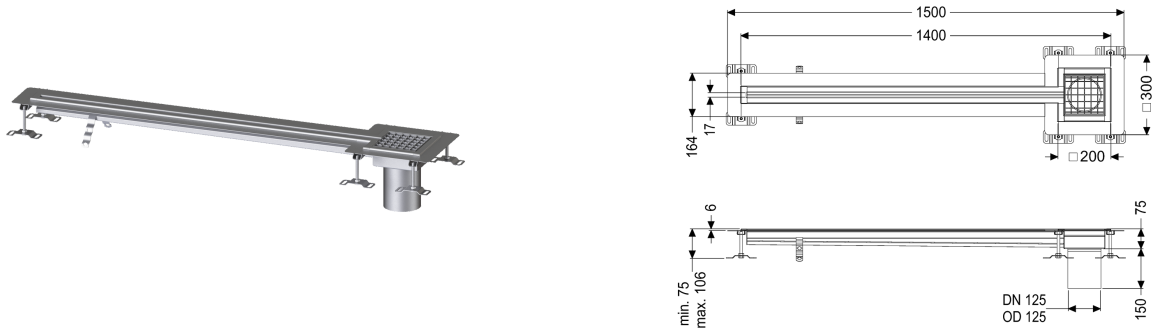


## Slotted Channel Ferrofix glued flange H: 6mm, 17x1400mm, outer



### Article information

Item no.: 6202141  
 GTIN: 4026092099612  
 Price group: 80

### Advantages

- Made of particularly a hygienic and mechanically highly resistant stainless steel
- Variably combinable with suitable drain bodies

### Description

The Ferrofix slotted channel made of stainless steel with a material thickness of 1.5 mm (pickled in the immersion bath) is equipped with ground crosspieces, longitudinal and transverse gradients, feet for height adjustment and stainless steel outlet nozzles. The channel profile is suitable for thin-layered floorings (e.g. epoxy resin) and has an all-round adhesive rim (6 mm deep and 50 mm folded outwards) with welded mitres. The glued flange is also suitable for connecting waterproofing.

#### Variant

Waterproofing layer on the upper section:	Adhesive flange (suitable for moisture barriers)
Position of sink trap:	outside

#### General characteristics

Material:	Stainless steel 14301
Nominal size (DN):	125
Outer diameter (OD):	125 mm
Glued flange height:	6 mm

#### Dimensions

Length:	1400 mm
Width:	17 mm
Height:	75 mm

#### Coverage features

Type of cover:	Slotted cover
----------------	---------------

Colour of cover:	silver
Width of cover:	200 mm
Length of cover:	200 mm
Locking:	placed
Load class:	L 15 (EN 1253-1)
Slip resistance class:	R12 according to DIN 51130; C according to DIN 51097
Slot width:	17 mm