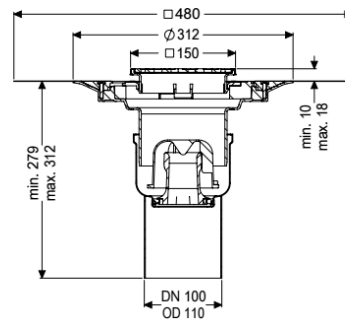
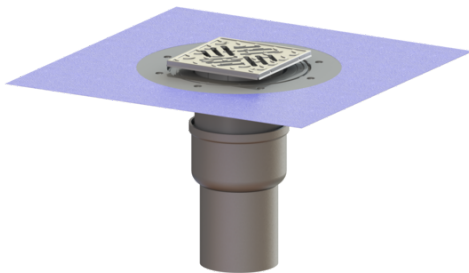


Ferrofix floor/roof drain DN 100, vert., Waterpr layer, Slot grt



Article information

Item no.: 54430.52
 GTIN: 4026092056318
 Price group: 70

Advantages

- Made of particularly hygienic and mechanically highly resistant stainless steel
- High flow rate

Description

The Ferrofix stainless steel floor drain is used for point drainage and is equipped with a removable odour trap made of stainless steel, a lip seal and a temporary protective cover. The outlet socket is suitable for connection to SML cast iron pipes.

Variant

System:	125
Waterproofing layer on the upper section:	Enclosed sealing collar to be glued (bd) according to DIN 18534
Waterproofing layer on the drain body:	Connection flange
Sealing water height:	50 mm

General characteristics

Standard:	EN 1253-1
Nominal size (DN):	100
Outer diameter (OD):	110 mm
Approval:	Z-19.53-2414,Z-19.17-1719
ATEX:	no
Odour trap:	included

Dimensions

Vertical adjustment:	10 - 18 mm
Net weight:	3,26 kg
Gross weight:	4,02 kg
Type of height adjustability:	vertically adjustable upper section

Length:	142 mm
Width:	142 mm
Packaging dimension:	length
Packaging dimension:	width
Packaging dimension:	height
Tank/drain body	
Number of outlets:	1
Material of drain body:	Stainless steel 14301
Socket version:	vertical
Coverage features	
Type of cover:	Slotted cover
Cover material:	Stainless steel 14301
Width of cover:	138 mm
Length of cover:	138 mm
Surface:	Polished SST
Locking:	screwed
Load class:	L 15 (EN 1253-1)
Slip resistance class:	R11 according to DIN 51130; C according to DIN 51097
Rim width:	150 mm
Rim length:	150 mm
Upper section:	adjustable in three dimensions
Shape of upper section:	square
Upper section material:	ABS