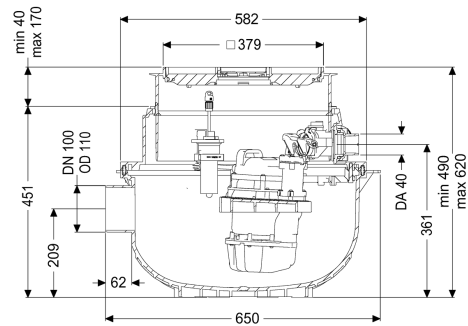


## Aqualift S Compact lift stat. Duo, GTF 1200, Floor slab, tileable



### Article information

Item no.: 281230X  
 GTIN: 4026092082737  
 Price group: 20

### Advantages

- Space-saving due to installation in floor slab with integrated drainage function
- Easy retrofitting from Mono to Duo possible
- Quiet operation, as the pump installation does not cause any structure-borne sound emissions.

### Description

The ready to plug in lifting station for faecal-free wastewater is equipped with one or two submersible pumps and a backflow preventer. The collection tank made of permanently resistant polymer (PE) has an open pump tank. One-handed closures enable easy removal of the integrated components. The system for installation in the floor slab is preassembled for final installation on site.

#### Variant

|                     |              |
|---------------------|--------------|
| Type of system:     | duo pump     |
| Pump control:       | Control unit |
| Backflow preventer: | integrated   |

#### General characteristics

|                         |   |
|-------------------------|---|
| Colour:                 | black   |
| Standard:               | EN 12050-2  |
| Type of wastewater:     | without sewage  |
| Installation situation: | floor slab installation   |
| Delivery state:         | Installation-ready (connection parts must be connected on site) |
| System type:            | Duo   |

#### Dimensions

|             |          |
|-------------|----------|
| Net weight: | 22,34 kg |
|-------------|----------|

|  |                                     |
|--|-------------------------------------|
| Gross weight:  | 23,84 kg                            |
| Groundwater resistant from lower edge of base section: | 3000 mm                             |
| Installation depth:                                    | 490 - 620 mm                        |
| Type of height adjustability:                          | vertically adjustable upper section |
| Length:  | 617 mm                              |
| Width:   | 585 mm                              |
| Packaging dimension:                                   | length                              |
| Packaging dimension:                                   | width                               |
| Packaging dimension:                                   | height                              |

|                                |        |
|--------------------------------|--------|
| Tank/drain body                |        |
| Pressure pipe connection (DN): | 32     |
| Pressure pipe connection (OD): | 40 mm  |
| Inlet nominal size (DN):       | 100 mm |
| Pumping volume:                | 20 l   |

|                       |                      |
|-----------------------|----------------------|
| Coverage features     |                      |
| Type of cover:        | tileable cover plate |
| Cover material:       | Polymer              |
| Colour of cover:      | silver grey          |
| Width of cover:       | 366 mm               |
| Length of cover:      | 366 mm               |
| Drainage function:    | yes                  |
| Locking:              | Lock & Lift          |
| Load class:           | K 3 (EN 1253-1)      |
| Max. flooring height: | 16 mm                |

|  |                                |
|--|--------------------------------|
| Pumping device                                     |                                |
| Pump:  | GTF 1200                       |
| Number of pumps:                                   | 2                              |
| Connection type:                                   | coded plug                     |
| Operating voltage:                                 | 230 V                          |
| Protection class (pump):                           | IP 68 (3m)                     |
| Temperature monitoring:                            | integrated                     |
| Max. temperature (permanent) of conveyed material: | 40 °C                          |
| Hot water resistance for a short time (2 min):     | 80 °C                          |
| Max. pumping capacity:                             | 15,5 m <sup>3</sup> /h         |
| Max. pumping height:                               | 9 m                            |
| Speed:   | 2650 U/min                     |
| Power P1:  | 1,4 kW                         |
| Power P2:  | 0,84 kW                        |
| Operating mode:                                    | S1                             |
| Type of pump connection cable:                     | H07RN-F 3G 1.5 mm <sup>2</sup> |
| Impeller type:                                     | Multi-vane impeller            |
| Free passage:                                      | 30 mm                          |
| Length of mains cable for pump:                    | 5 m                            |
| Rated current:                                     | 6,2 A                          |

|  |                |
|--|----------------|
| Control  |                |
| Control unit:                                  | Comfort        |
| Alarm sensor:                                  | optical probe  |
| Level measurement instrument:                  | Immersion pipe |
| Type of level measurement:                     | pneumatic      |
| Protection class control unit:                 | IP 54          |
| Mains frequency:                               | 50 Hz          |
| Operating voltage:                             | 230 V          |
| Connection type:                               | coded plug     |
| Length of mains cable for control unit:        | 1,4 m          |
| Potential-free contact:                        | optional       |
| GSM interface:                                 | yes            |
| USB interface:                                 | yes            |
| Log book function:                             | yes            |
| Multi-line display:                            | yes            |
| Battery buffering:                             | yes            |
| Self-diagnosis system (SDS):                   | yes            |
| Type of fuse required (electrical protection): | C 16 A         |