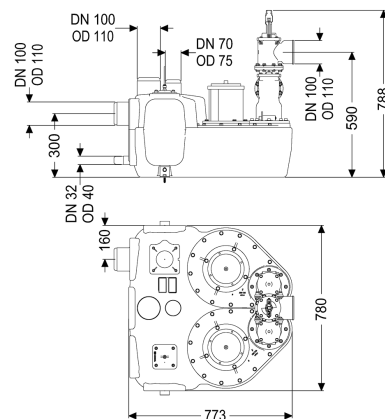


## Lifting station Aqualift F Duo Comfort, SPF 3000-S1, shut-off valve



### Article information

Item no.: 11609  
 GTIN: 4026092071076  
 Price group: 20

### Advantages

- Different performance classes available
- Pressure sensor for reliable pneumatic level measurement
- Control unit with self-diagnosis system

### Description

The lifting station for faecal and faecal-free wastewater is equipped with two submersible pumps and a backflow preventer. The collection tank made of permanently resistant polymer (PE) offers universal connection options and has a screwed access cover.

#### Variant

|  |  |
|--|--|
| Type of system:                            | duo pump   |
| Shut-off valve:                            | Shut-off valve made of polymer   |
| Retaining bracket for the lift protection: | yes  |
| Sound absorption mat:                      | yes  |
| Pump control:                              | Control unit   |
| Backflow preventer:                        | integrated   |
| Pressure pipe connection:                  | horizontal   |
| <br>                                       |  |
| General characteristics                    |  |
| Colour:                                    | black  |
| Standard:                                  | EN 12050-1   |
| Type of wastewater:                        | with sewage  |
| Installation situation:                    | free-standing installation   |
| Delivery state:                            | Installation-ready (electrical components, connection parts must be connected on site) |

#### Dimensions

Net weight: 58,83 kg

|   |                                |
|---|--------------------------------|
| Gross weight:                                       | 84 kg                          |
| Length:   | 773 mm                         |
| Width:  | 780 mm                         |
| Height:   | 788 mm                         |
| Packaging dimension:                                | length                         |
| Packaging dimension:                                | width                          |
| Packaging dimension:                                | height                         |
| Tank/drain body                                     |                                |
| Pressure pipe connection (DN):                      | 100                            |
| Pressure pipe connection (OD):                      | 110 mm                         |
| Connection for manual diaphragm pump (DN):          | 32                             |
| Venting connection (DN):                            | 70                             |
| Distance from centre of outlet pipe to tank bottom: | 590 mm                         |
| Distance pipe bottom inlet to tank bottom:          | 245 mm                         |
| Distance from centre of inlet pipe to tank bottom:  | 300 mm                         |
| Inlet max. scoring (DN):                            | 150 mm                         |
| Inlet nominal size (OD):                            | 110 mm                         |
| Inlet nominal size (DN):                            | 100 mm                         |
| Number of inlets:                                   | 2                              |
| Pumping volume:                                     | 50 l                           |
| Tank volume:  | 120 l                          |
| Pumping device                                      |                                |
| Pump:   | SPF 3000-S1                    |
| Number of pumps:                                    | 2                              |
| Weight, pump:                                       | 26 kg                          |
| Connection type:                                    | Direct connection              |
| Rated current:                                      | 5,4 A                          |
| Protection class:                                   | I                              |
| Insulation class:                                   | F                              |
| Cos phi - power factor:                             | 0,77                           |
| Protection class (pump):                            | IP 68 (3m/48h)                 |
| Temperature monitoring:                             | integrated                     |
| Max. temperature (permanent) of conveyed material:  | 40 °C                          |
| Max. pumping capacity:                              | 47 m <sup>3</sup> /h           |
| Max. pumping height:                                | 16 m                           |
| Speed:  | 2890 U/min                     |
| Power P1:   | 3,2 kW                         |
| Power P2:   | 2,7 kW                         |
| Operating mode:                                     | S1                             |
| Type of pump connection cable:                      | H07RN-F 7G 1.5 mm <sup>2</sup> |
| Impeller type:                                      | Multi-vane impeller            |
| Free passage:                                       | 40 mm                          |
| Length of mains cable for pump:                     | 5 m                            |

Control

|                                |                                      |
|--------------------------------|--------------------------------------|
| Control unit:                  | Comfort                              |
| Motor protection switch:       | yes                                  |
| Alarm sensor:                  | Immersion pipe                       |
| Level measurement instrument:  | Immersion pipe with pressure monitor |
| Type of level measurement:     | pneumatic                            |
| Protection class control unit: | IP 54                                |
| Mains frequency:               | 50 Hz                                |
| Operating voltage:             | 400 V                                |
| Connection type:               | Direct connection                    |
| Potential-free contact:        | yes                                  |
| GSM interface:                 | yes                                  |
| Log book function:             | yes                                  |
| Multi-line display:            | yes                                  |
| Battery buffering:             | yes                                  |
| Self-diagnosis system (SDS):   | yes                                  |